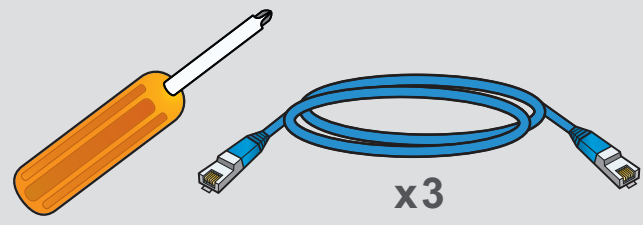


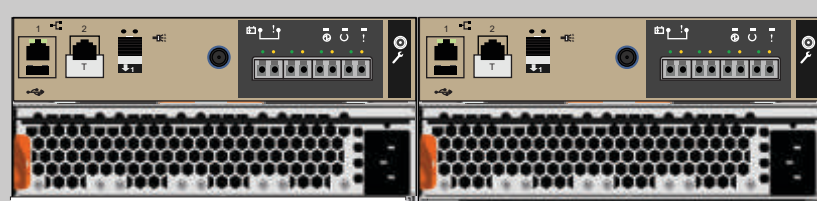
① Prepare for setup

You will need:

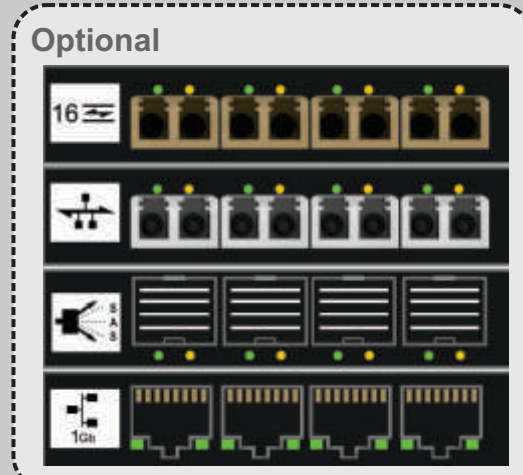
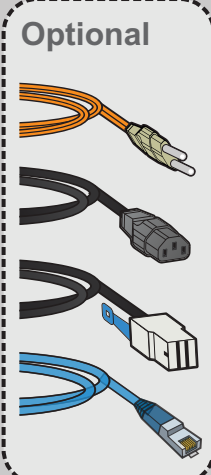
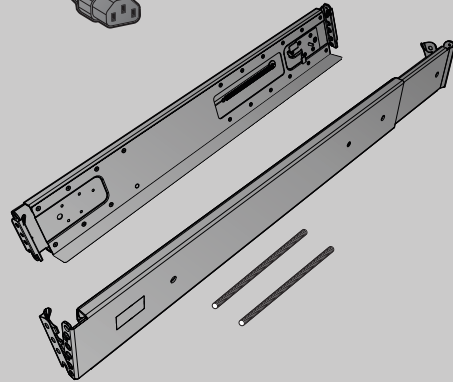
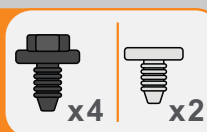


② Verify the enclosure packages

* Control enclosure



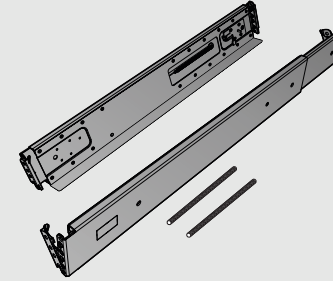
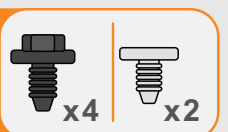
Hardware kit contains extra screws and pins for various rack types.



Expansion enclosure

Optional

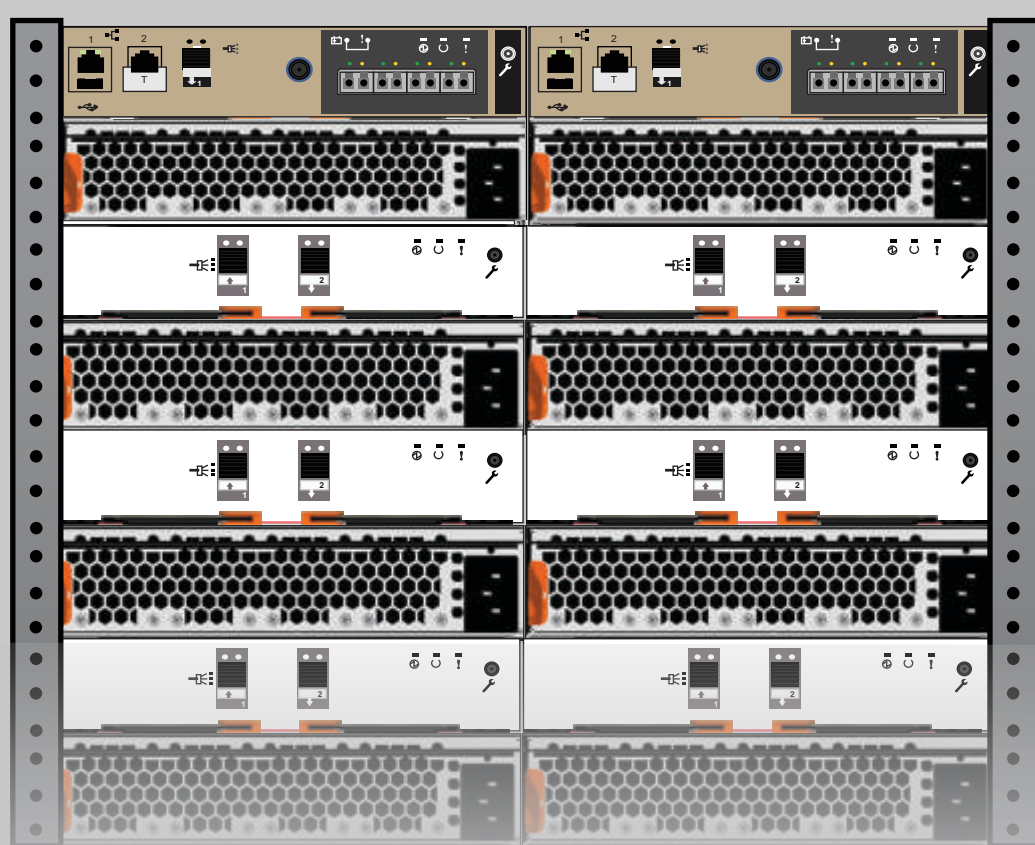
Hardware kit contains extra screws and pins for various rack types.



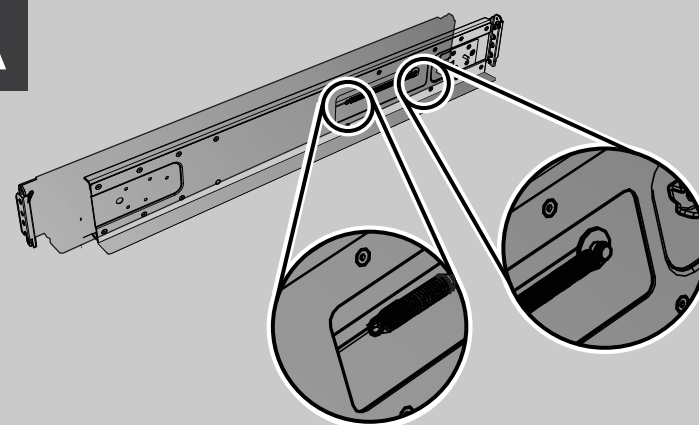
③ Install enclosures

*

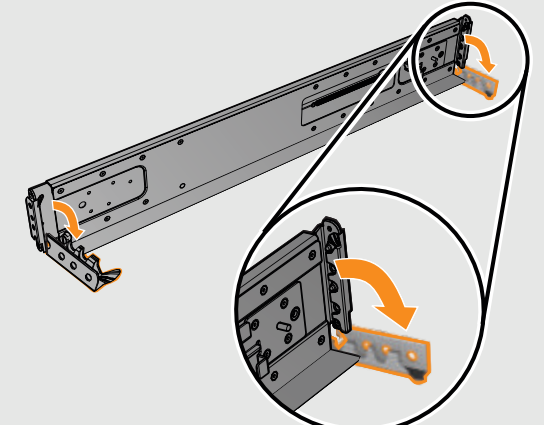
1
2
3



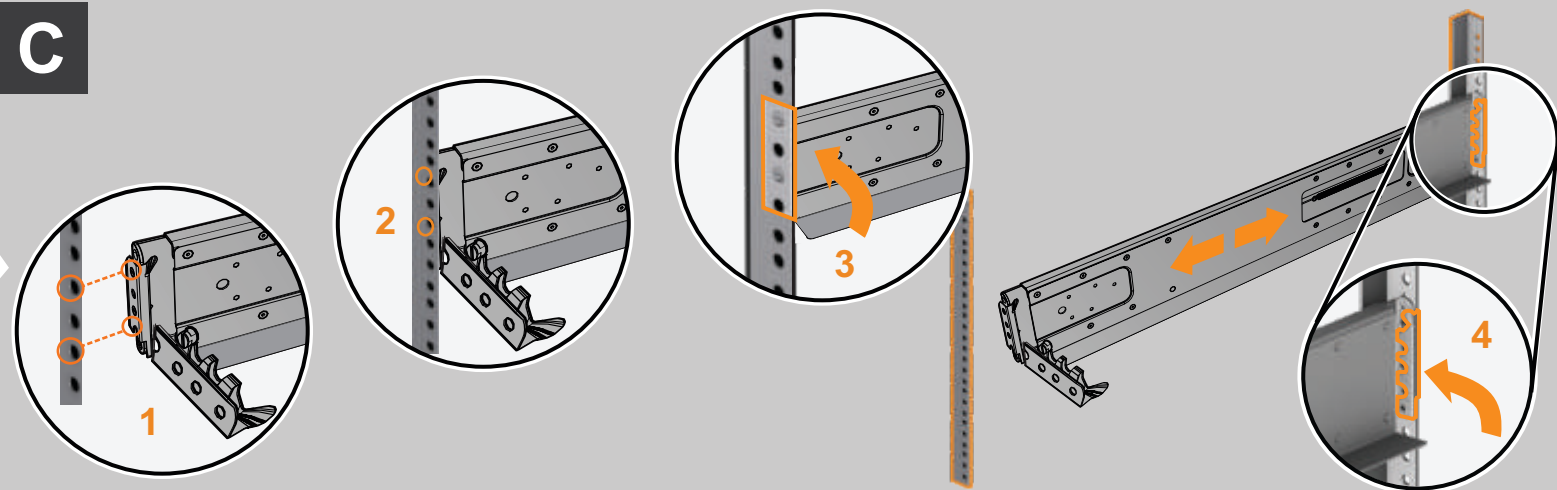
A



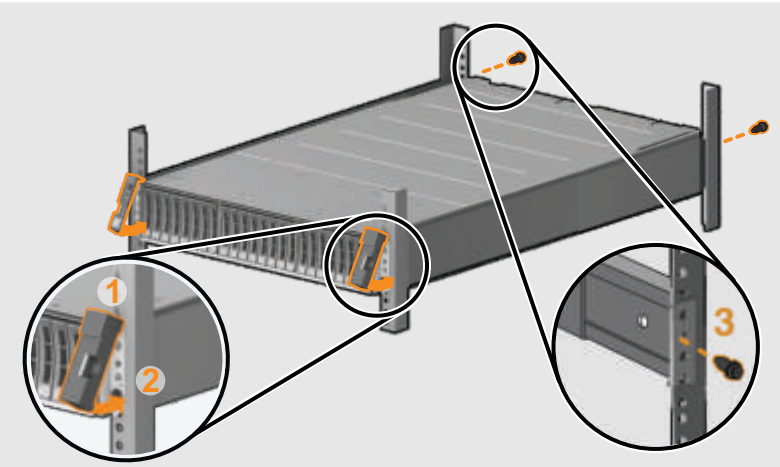
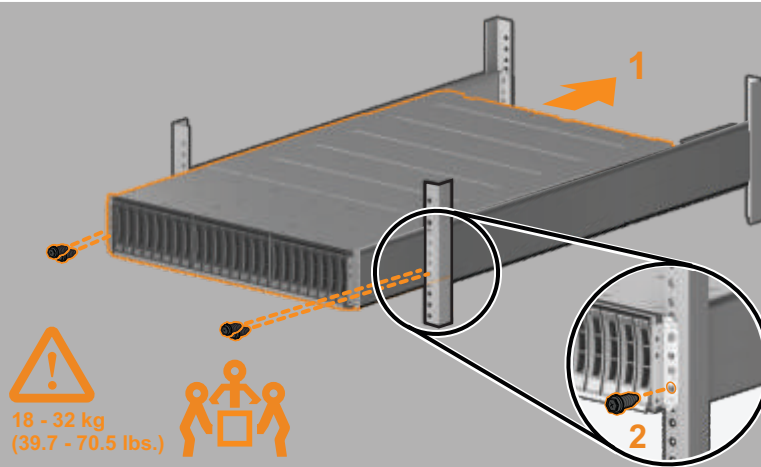
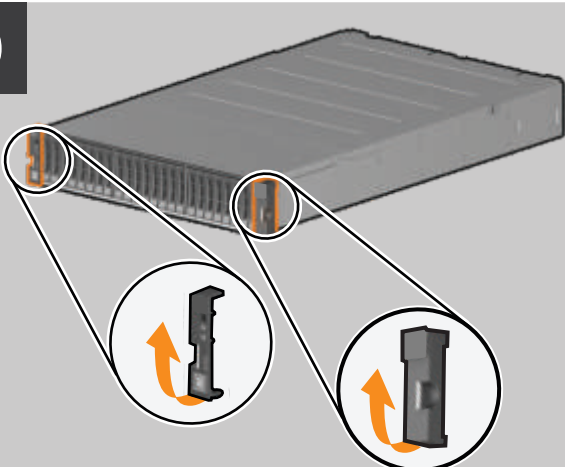
B



C

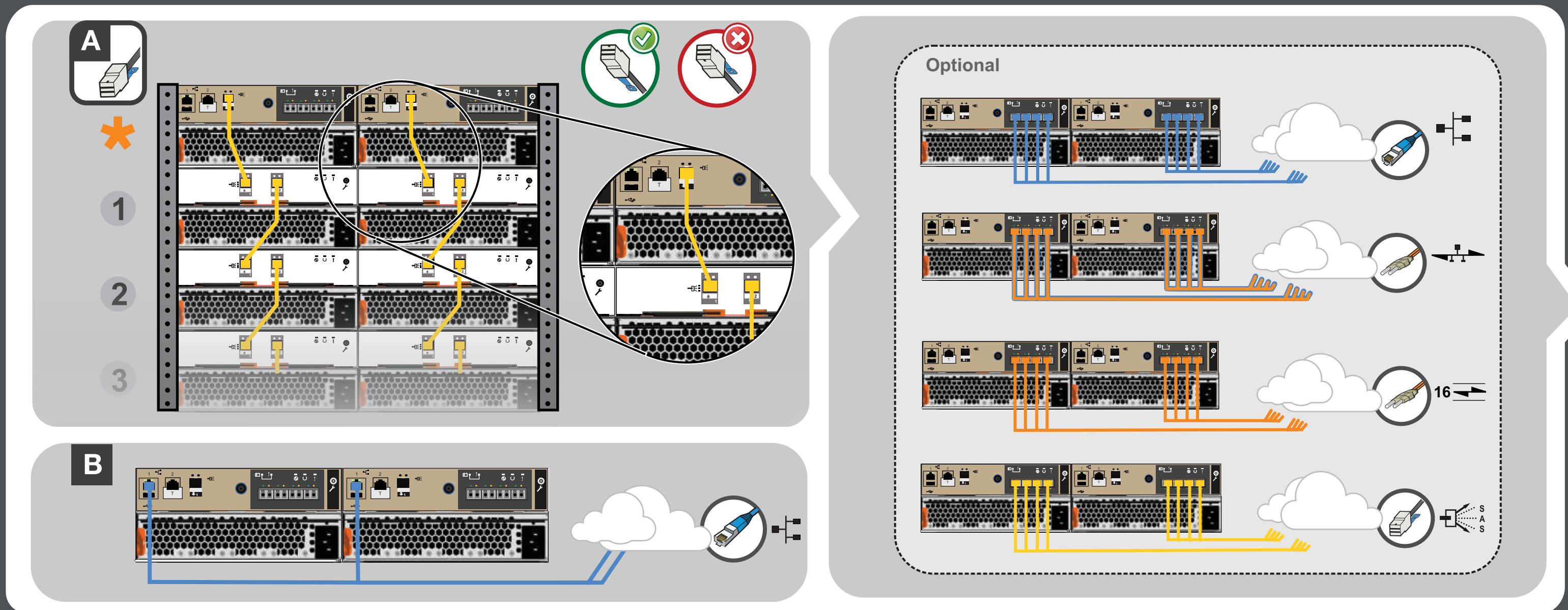


D

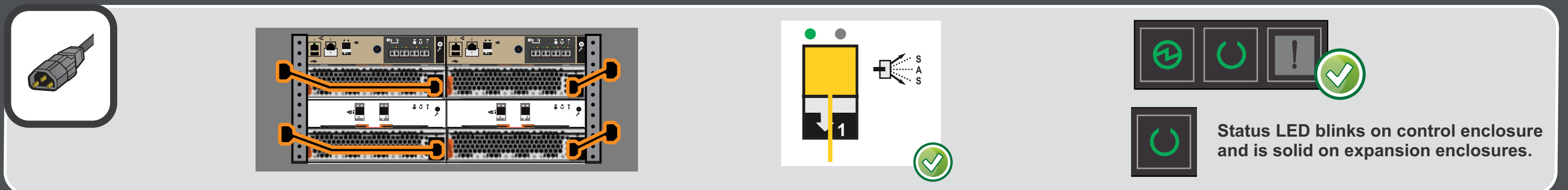


01EJ627

④ Connect cables



⑤ Power on the system



⑥ Configure the system

